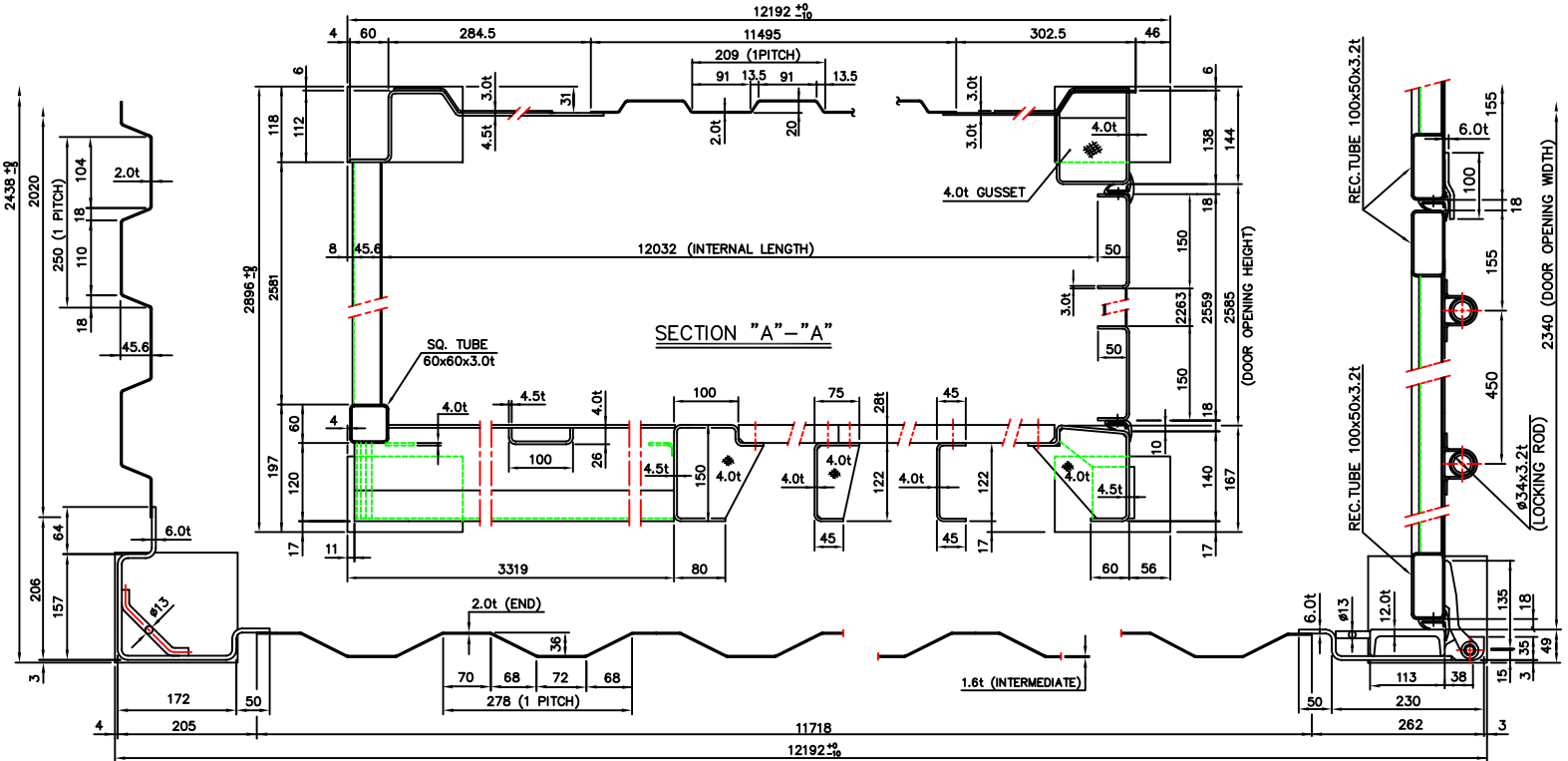
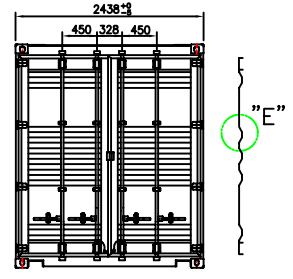
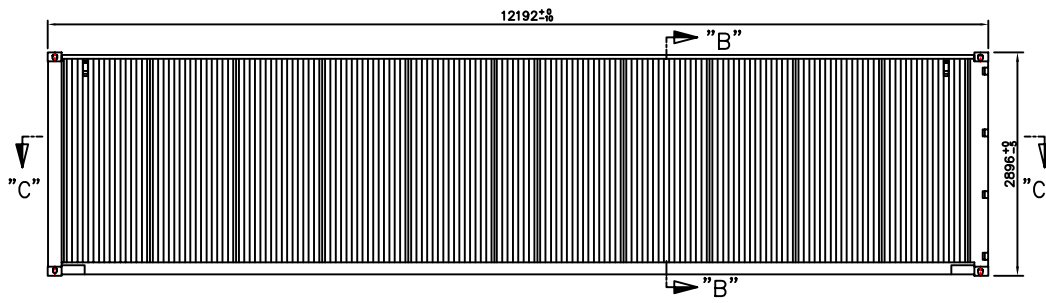
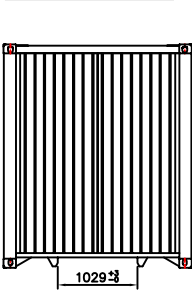
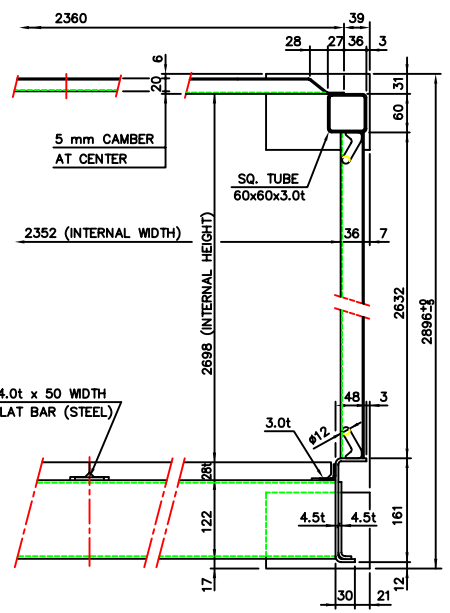
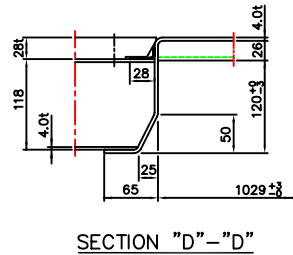
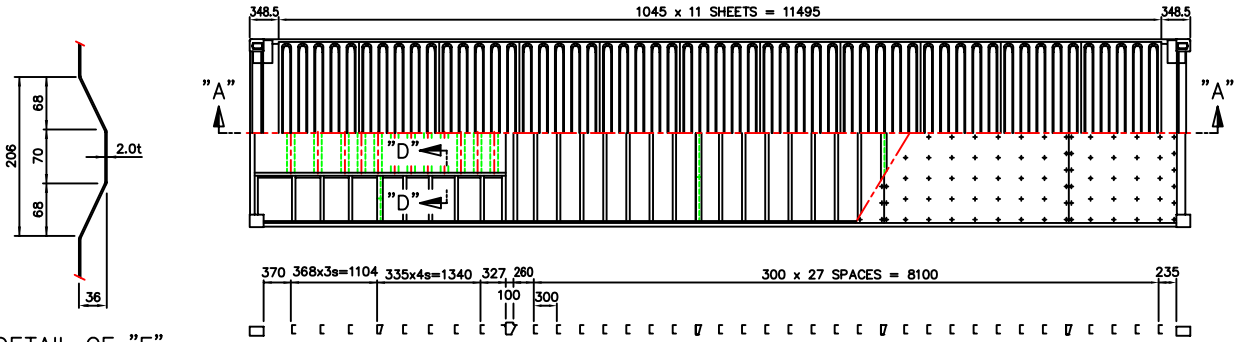
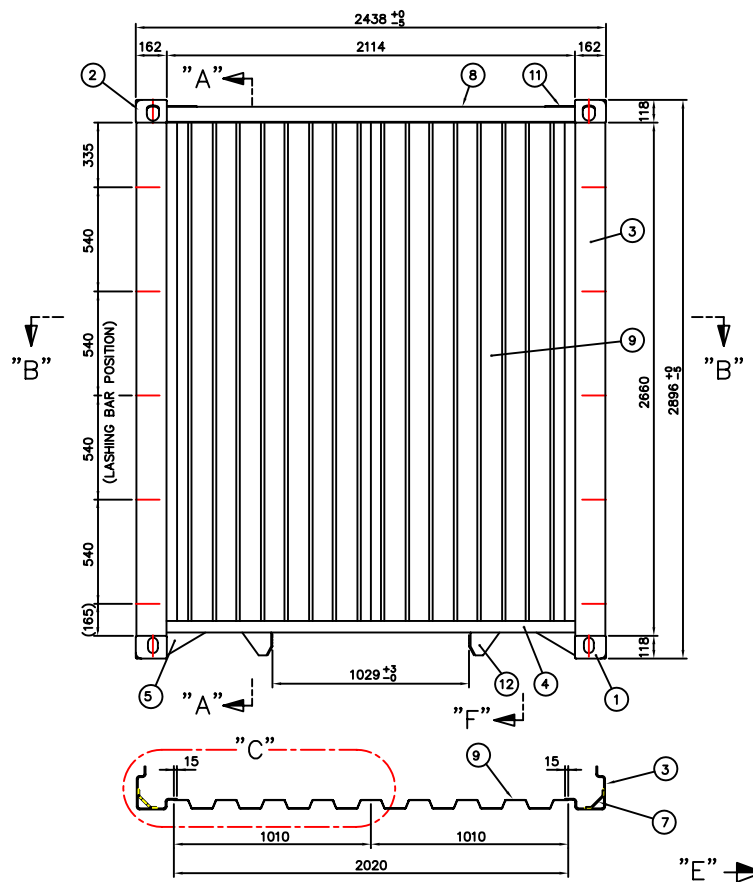


NO	REVISION	RECORD	DATE	BY	CHK'D
----	----------	--------	------	----	-------

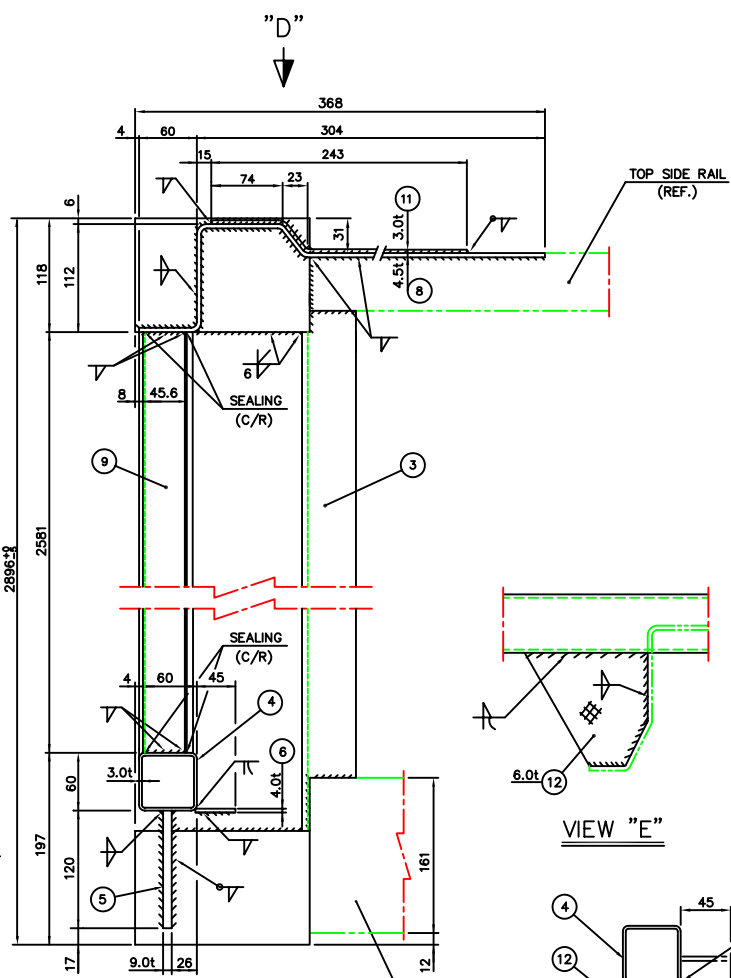


EXTERNAL	LENGTH	12192 ± 0 ₋₁₀ MM	40' - 0" ± 0 _{-3/8"}
	WIDTH	2438 ± 0 ₋₅ MM	8' - 0" ± 0 _{-3/16"}
	HEIGHT	2896 ± 0 ₋₅ MM	9' - 6" ± 0 _{-3/16"}
INTERNAL	LENGTH	12032 MM	39' - 5 11/16"
	WIDTH	2352 MM	7' - 8 5/8"
DOOR OPENING	HEIGHT	2698 MM	8' - 10 3/16"
	WIDTH	2340 MM	7' - 8 1/8"
	HEIGHT	2585 MM	8' - 5 3/4"
	MAX. GROSS WEIGHT	30480 KG.	67200 LB.
	TARE WEIGHT	3920 KG.	8640 LB.
	MAX. PAYLOAD	26560 KG.	58560 LB.
	INSIDE CUBIC CAPACITY	76.4 CU.M	2696 CU.FT

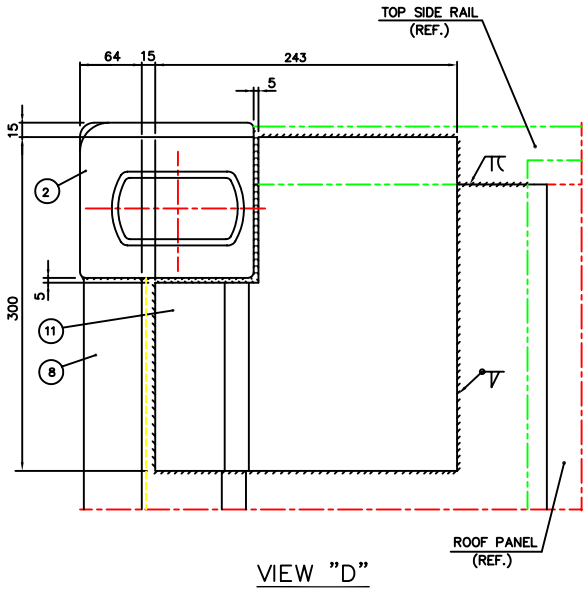
SECTION "C" - "C"



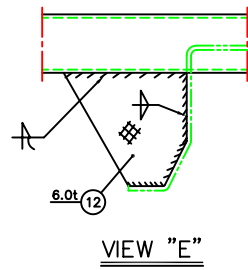
SECTION "B" - "B"



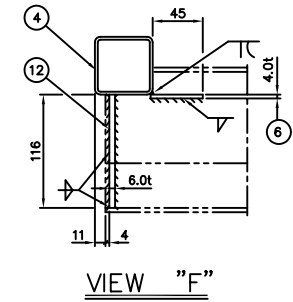
SECTION "B" - "B"



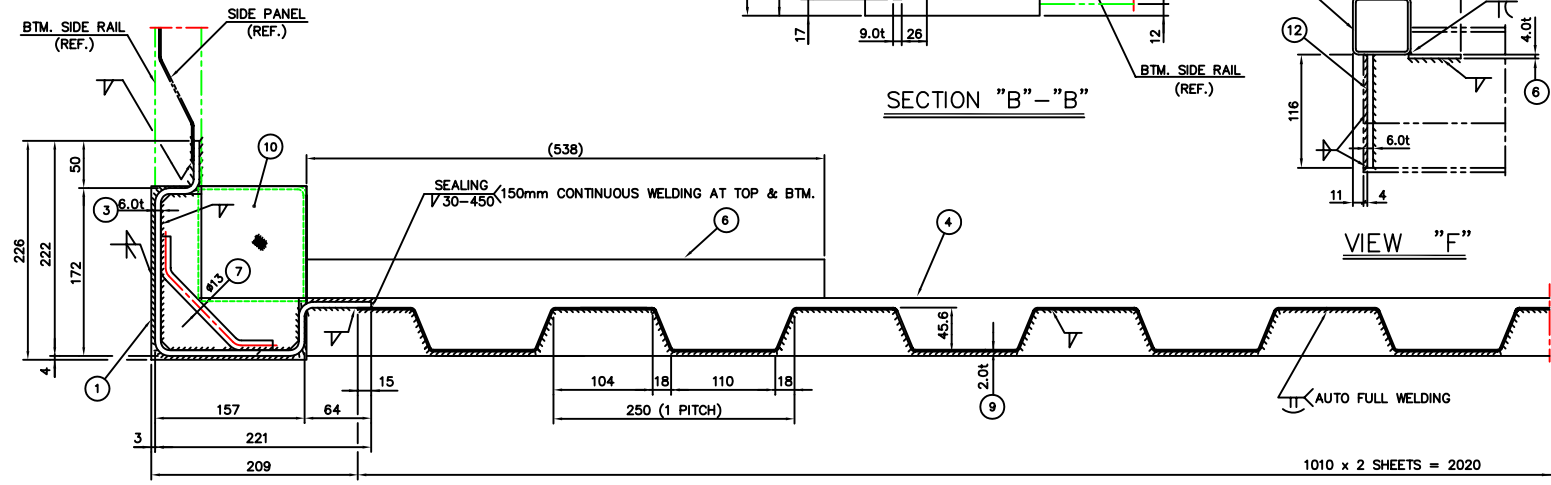
VIEW "D"



VIEW "E"



VIEW "F"

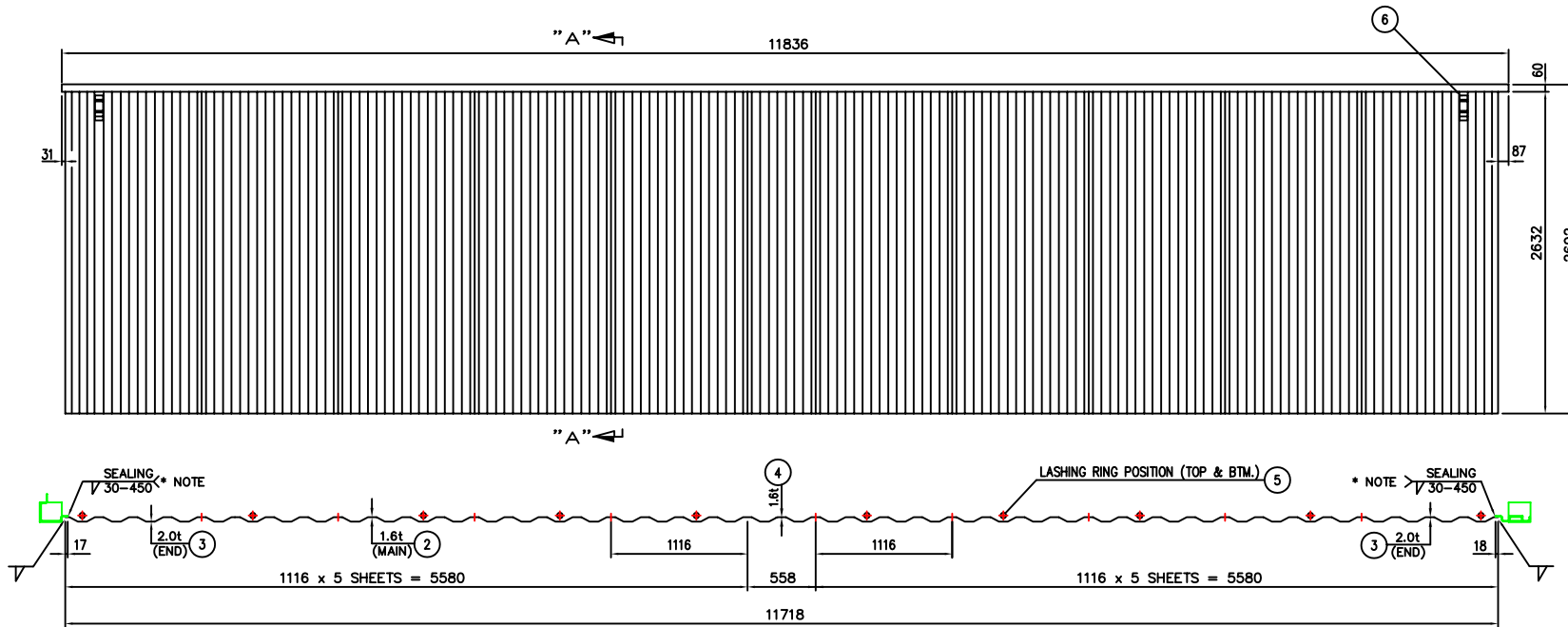


DETAIL OF "C"

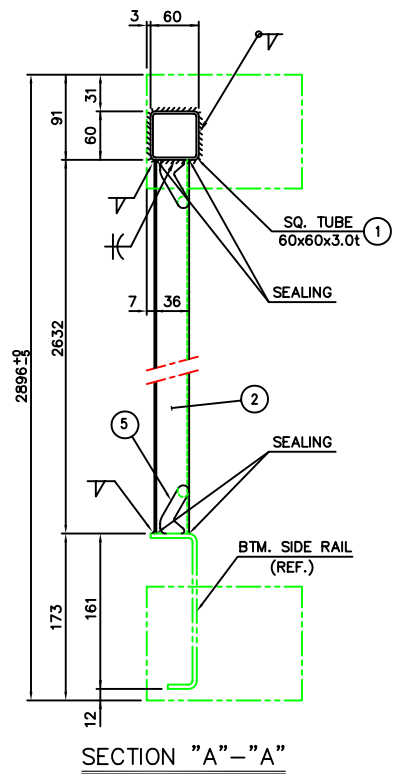
1010 x 2 SHEETS = 2020

13		A/R	SEALANT (CHLOROPRENE)
12	2		GOOSENECK TUNNEL GUSSET (SPA-H)
11	2		TOP CORNER REINFORCEMENT (SPA-H)
10	2		FLOOR SUPPORT ASS'Y (SPA-H)
9	2		PANEL (SPA-H)
8	1		TOP RAIL (SPA-H)
7	10		LASHING BAR (SS400, ZINC-PLATED)
6	2		FLOOR SUPPORT STRIP (SPA-H)
5	2		BTM. CORNER REINFORCEMENT (SS400)
4	1		BTM. RAIL (SPA-H)
3	2		CORNER POST (SPA-H)
2	2		CORNER CASTING UPPER (SCW480)
1	2		CORNER CASTING LOWER (SCW480)
ITEM	PART NO.	Q'TY	DESCRIPTION

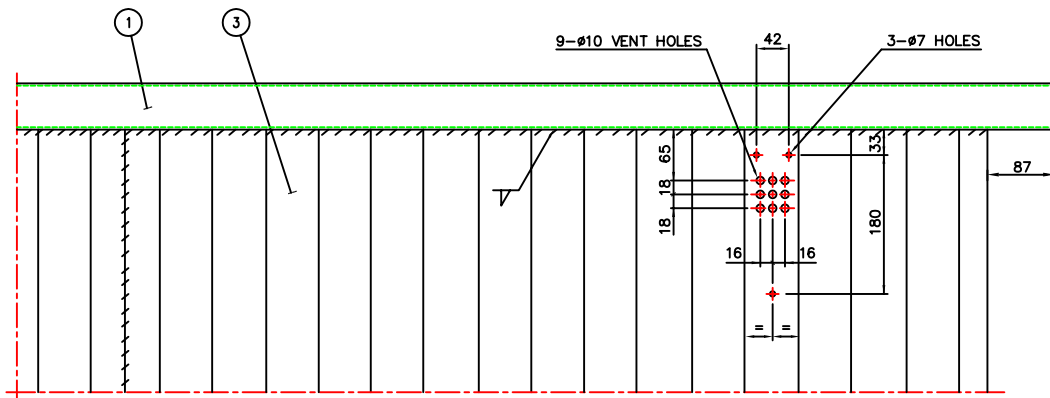
TITLE FRONT ASSEMBLY



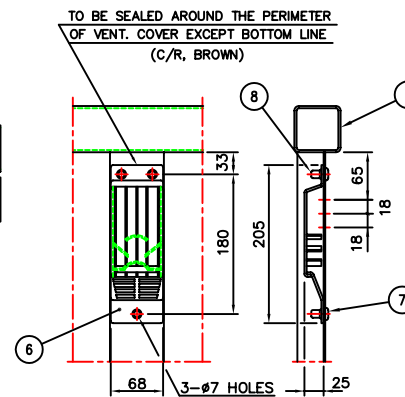
L.H. SIDE PANEL (R.H. OPPOSITE)



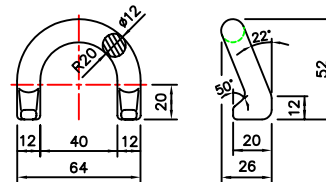
SECTION "A" - "A"



DETAIL OF VENT HOLES & CORRUGATION



DETAIL OF VENT COVER

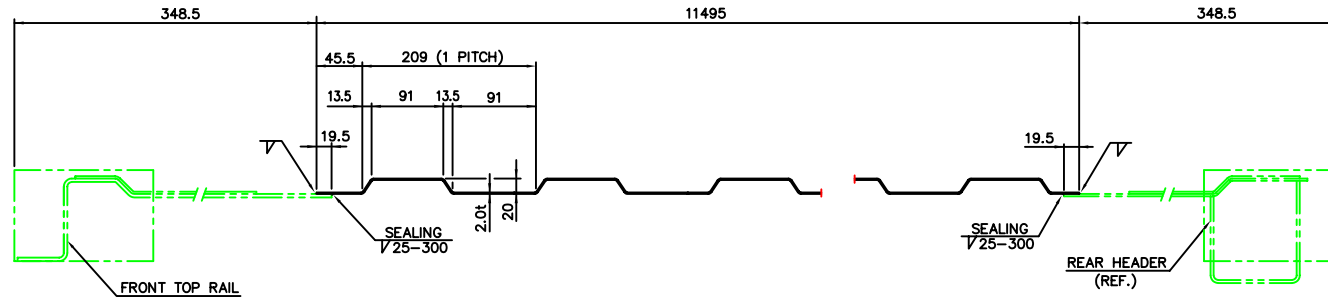
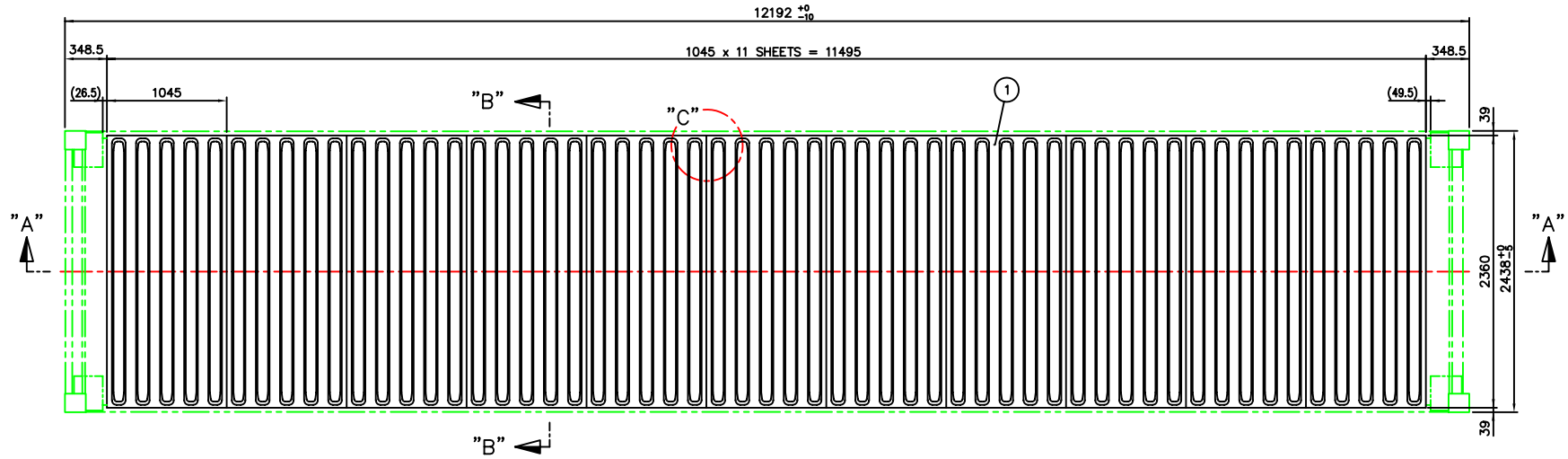


DETAIL OF 5

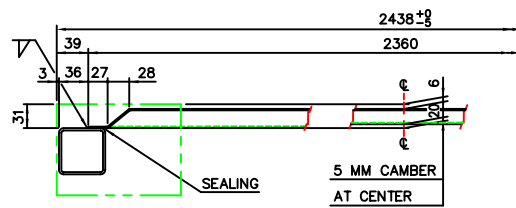
* NOTE
150 MM CONTINUOUS WELDING AT TOP & BTM.

ITEM	PART NO.	Q'TY	DESCRIPTION
9	A/R		SEALANT (CHLOROPRENE)
8	12		COLLAR (AL. ALLOY, 2839-08)
7	12		LOCK BOLT (AL. ALLOY, 2801-08-04)
6	4		VENT COVER (SMALL, PLASTIC)
5	40		LASHING RING (SF440A, ZINC PLATED)
4	2		SIDE MAKE-UP PANEL (SPA-H)
3	4		SIDE END PANEL (SPA-H)
2	16		SIDE MAIN PANEL (SPA-H)
1	2		TOP SIDE RAIL (SPA-H)

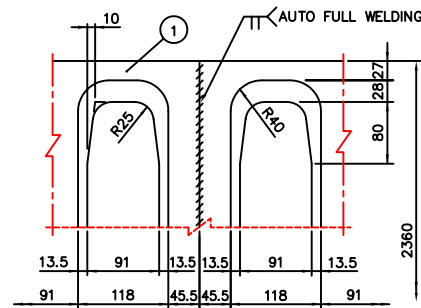
TITLE			
SIDE ASSEMBLY			
APP'D	DATE	2010. 2. 5.	CUST. NAME SHINYOUNG 40' H/C
VERIF'D	SCALE	1/30, 1/4	SPEC NO.
DESIG'D	MODEL		
DRAWN	DRWG. NO.		



SECTION "A" - "A"



SECTION "B" - "B"



DETAIL OF "C"

2		A/R	SEALANT (CHLOROPRENE)
1		11	ROOF PANEL (SPA-H)
ITEM	PART NO.	Q'TY	DESCRIPTION
TITLE ROOF ASSEMBLY			